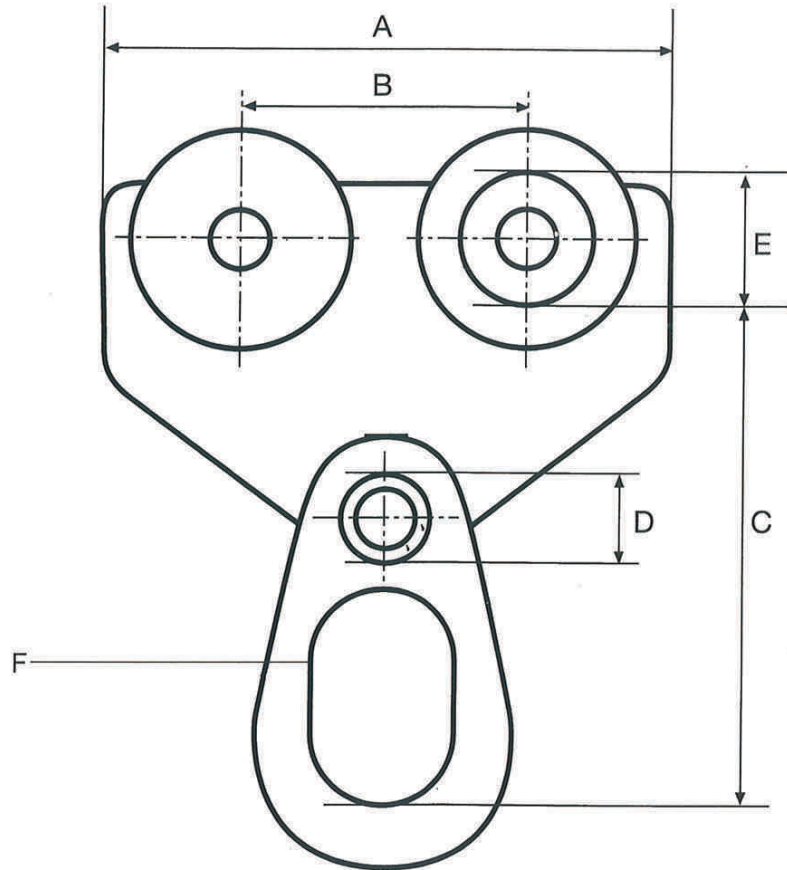


VITALIFT CRAWLS

PLAIN



GEARED



SPECIFICATIONS		CAPACITY							
A	Overall length	½t	1t	2t	3t	5t	10t	20t	
		210mm	210mm	260mm	295mm	345mm	525mm	525mm	
B	Distance between axles (centre to centre)	100mm	100mm	125mm	145mm	170mm	255mm	255mm	
C	Distance between beam base and hook bearing point	145mm	145mm	135mm	170mm	195mm	210mm	250mm	
D	Shaft diameter	20mm	22mm	25mm	30mm	39mm	30mm	54mm	
E	Load wheel diameter (at load -bearing surface)	54mm	54mm	80mm	105mm	115mm	200mm	200mm	
F	Internal width and height of suspension eye	47mm	47mm	50mm	49x69mm	50x78mm	79x120mm	88x120mm	
1	Side plate thickness	8mm	10mm	10mm	12mm	16mm	20mm	30mm	
2	Weight	Plain	8kg	9kg	15kg	25kg	40kg	139kg	N/A
		Geared	N/A	10kg	17kg	27,5kg	45kg	146kg	237kg
3*	To fit beam width	Minimum	76mm	76mm	92mm	92mm	125mm	138mm	145mm
		Maximum	138mm	138mm	152mm	152mm	191mm	230mm	305mm
4	Minimum radius	1,3M	1,3M	1,5M	2M	2,5M	3,5M	3,5M	

* Extended shaft available on request